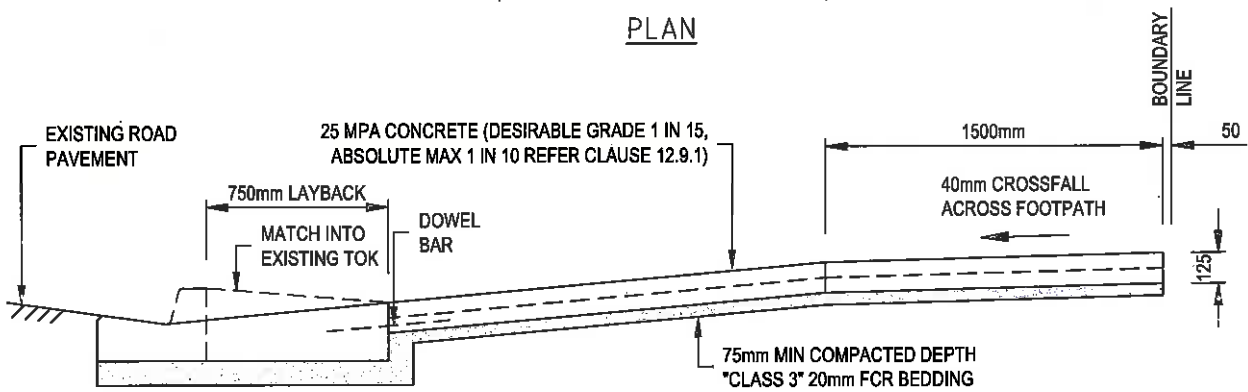
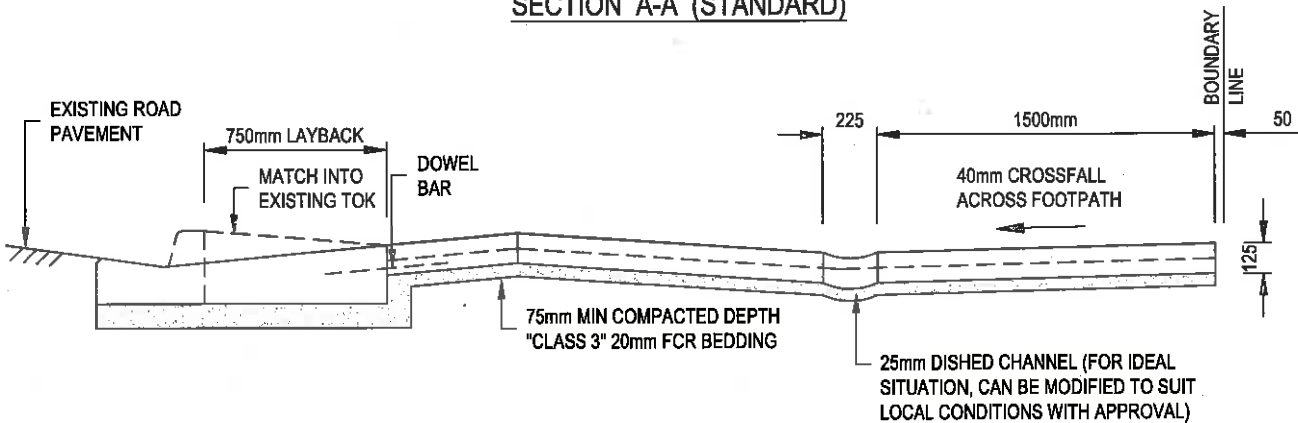


PLAN



SECTION A-A (STANDARD)



SECTION A-A (REVERSE FALL)

(ONLY TO BE USED WITH COUNCIL APPROVAL)

NOTE:

FOR GRADES STEEPER THAN 1 IN 15 REFER CLAUSE 12.9.1.
LAYBACK & CROSSOVER, TO BE CONSTRUCTED IN PLAIN CONCRETE ONLY (NO COLOURED CONCRETE BEYOND PROPERTY BOUNDARY)
T.O.K. DENOTES TOP OF KERB

LEGEND:

EXPANSION JOINT 

CONSTRUCTION JOINTS 

ALL MEASUREMENTS IN MILLIMETRES

NEW RESIDENTIAL SINGLE VEHICLE CROSSING DETAIL

LAST UPDATED 29/03/2016

SD 240

NOT TO SCALE

Infrastructure Design Manual Standard Drawings

A copy of the Infrastructure Design Manual can be viewed on the Design Manual website www.designmanual.com.au

 Local Government Infrastructure Design Association