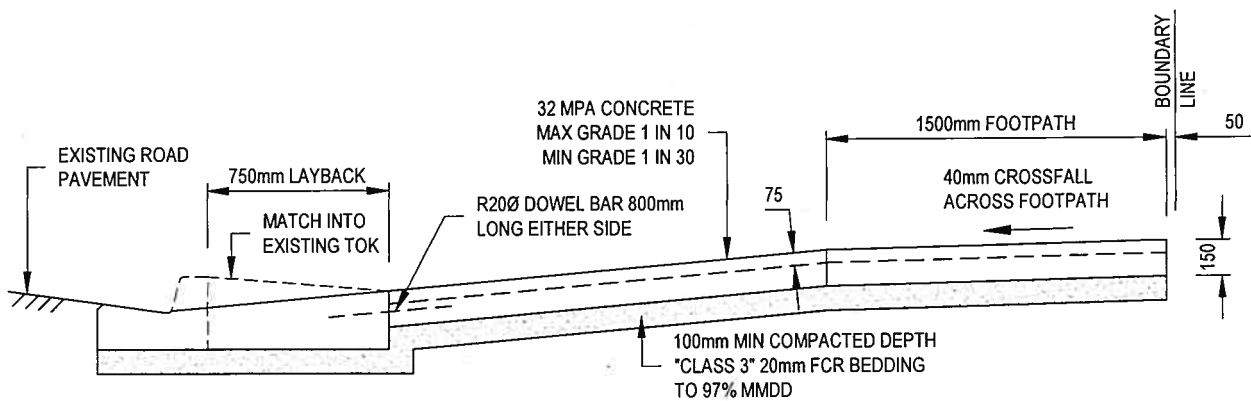


PLAN



SECTION A-A

NOTE:

1. T.O.K. DENOTES TOP OF KERB
2. WHERE THERE ARE EXPANSIVE SOILS AN ADDITIONAL LAYER OF REINFORCEMENT MAY BE REQUIRED AT 60mm COVER FROM THE BOTTOM OF THE SLAB.
3. FOR STEEP TERRAIN CONTACT THE COUNCIL FOR GUIDANCE.

LEGEND:

- EXPANSION JOINT 
- WEAKENED PLANE JOINTS 

ALL MEASUREMENTS IN MILLIMETRES

NEW INDUSTRIAL VEHICLE CROSSING DETAIL

LAST UPDATED 06/02/2019

SD 250

NOT TO SCALE

Infrastructure Design Manual Standard Drawings

A copy of the Infrastructure Design Manual can be viewed on the Design Manual website www.designmanual.com.au

 Local Government Infrastructure Design Association